

M9 BAYONET AND SCABBARD

NSN 1095-01-227-1739

PH 502-732-8845

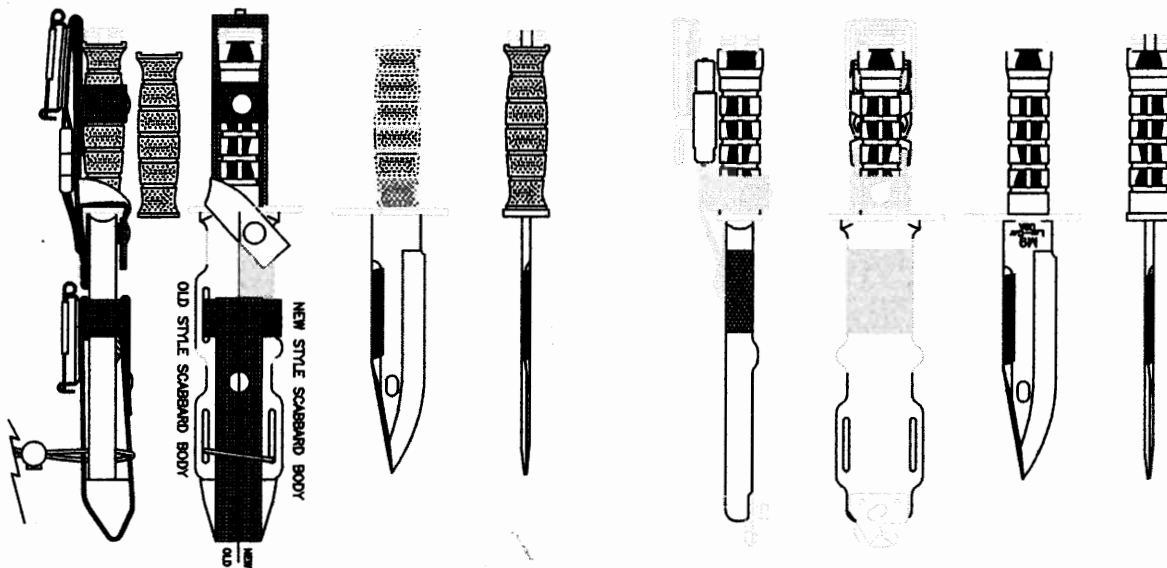
FX 502-732-9686

Lan-Cay, Inc - Carrollton, KY

M9Brown@hotmail.com

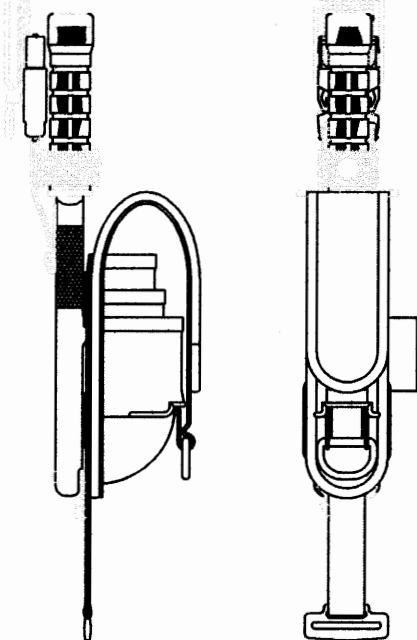
FOR MOLLE AND LBV

STANDARD BELT ATTACHMENT



M11 EOD WITH TOOL PAC

THE FOLLOWING INSIGNIA CAN
BE STAMPED ON ANY OF
M9 BLADES



101st AIRBORNE



10th MOUNTAIN



SPECIAL FORCES



82nd AIRBORNE



MARINES